



*Gaither*  
PROFESSIONAL EQUIPMENT

**REACHING  
FOR NEW  
HEIGHTS!**



**INSTRUCTIONS FOR  
GT-20MS**

// [GAITHERTOOL.COM](http://GAITHERTOOL.COM)

# GAITHER GT-20MS

Thank you for purchasing a Gaither Tools product. Manufactured to a high standard this product will, if used according to these instructions and properly maintained, give you years of trouble free performance.

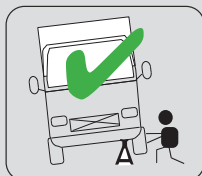
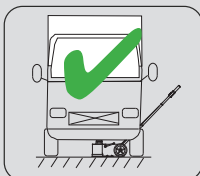
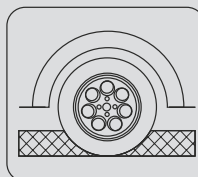
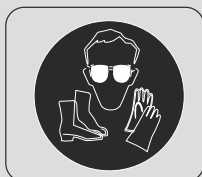
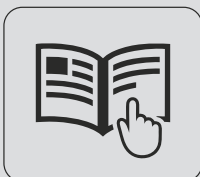


## IMPORTANT:

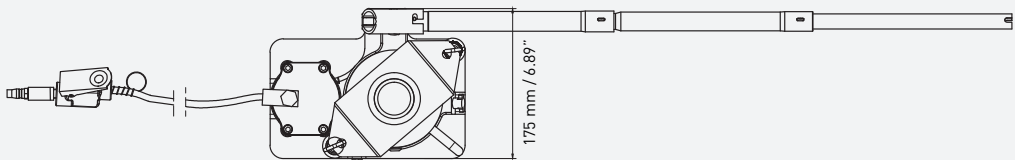
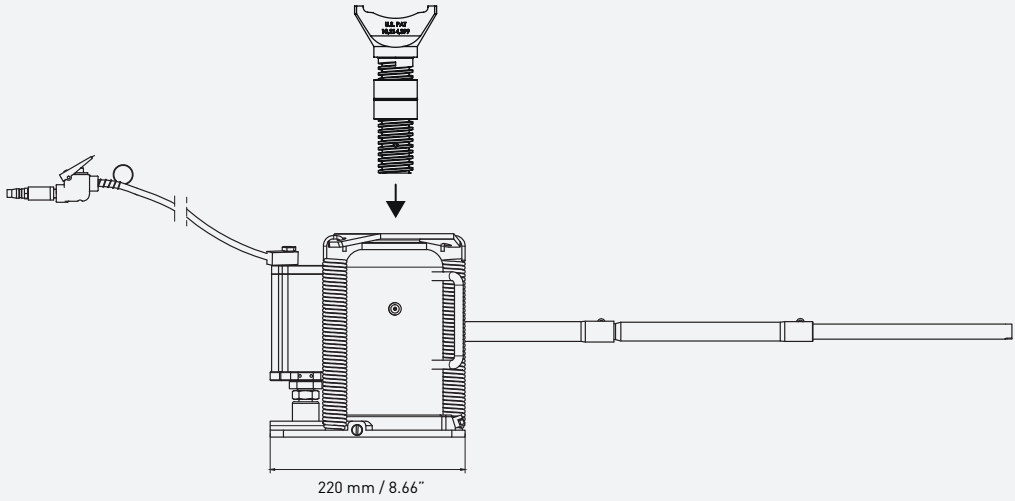
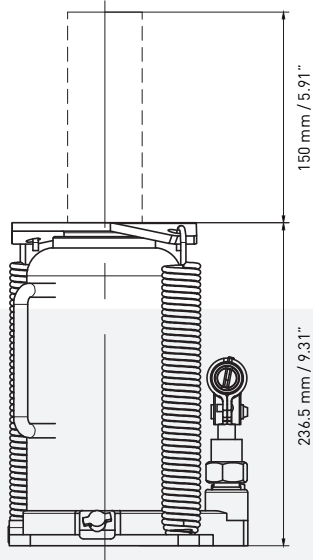
PLEASE READ THESE INSTRUCTIONS CAREFULLY. NOTE THE SAFE OPERATIONAL REQUIREMENTS, WARNINGS AND CAUTIONS. USE THE PRODUCT CORRECTLY AND WITH CARE FOR THE PURPOSE FOR WHICH IT IS INTENDED. FAILURE TO DO SO MAY CAUSE DAMAGE AND/OR PERSONAL INJURY AND WILL INVALIDATE THE WARRANTY. PLEASE KEEP INSTRUCTIONS SAFE FOR FUTURE USE.



## WARNINGS

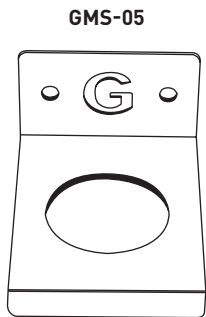
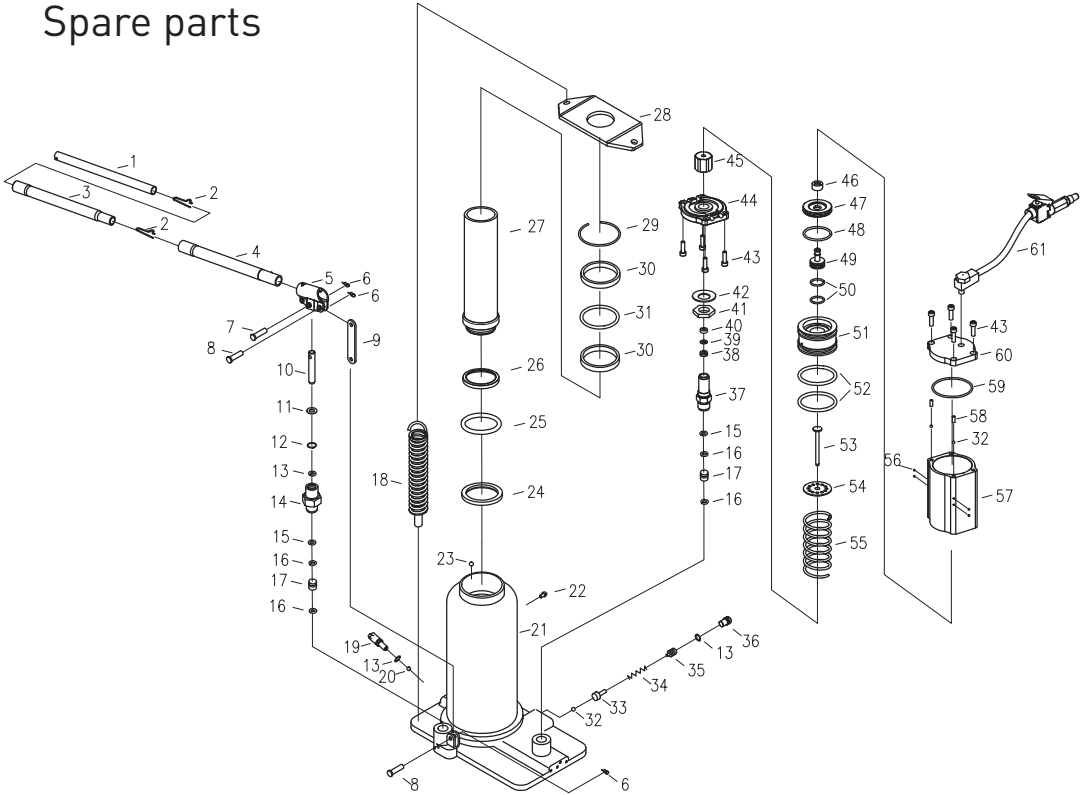


MORE INFO AND INSTRUCTION VIDEOS VISIT [GAITHERTOOL.COM](http://GAITHERTOOL.COM)



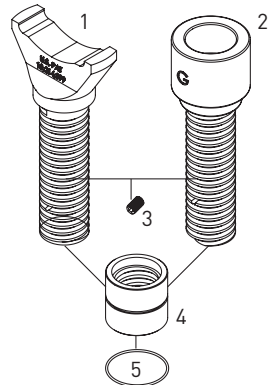
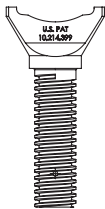
# GAITHER GT-20MS

Spare parts



GMSY-01

GMSR-01



ART NR	DESCRIPTION	QTY	ART NR	DESCRIPTION	QTY
GT-20MS-1	REAR HANDLE	1	GT-20MS-32	STEEL BALL	3
GT-20MS-2	PIN	2	GT-20MS-33	STUD	1
GT-20MS-3	MID HANDLE	1	GT-20MS-34	SPRING	1
GT-20MS-4	FRONT HANDLE	1	GT-20MS-35	PRESSURE VALVE	1
GT-20MS-5	HANDLE SOCKET	1	GT-20MS-36	BOLT	1
GT-20MS-6	COTTER PIN	3	GT-20MS-37	PUMP CYLINDER	1
GT-20MS-7	PIN	1	GT-20MS-38	Y-SEAL	1
GT-20MS-8	PIN	2	GT-20MS-39	NYLON GASKET	1
GT-20MS-9	LINK	1	GT-20MS-40	COPPER WASHER	1
GT-20MS-10	PUMP PISTON	1	GT-20MS-41	NUT	1
GT-20MS-11	DUSTPROOF RING	1	GT-20MS-42	SPRING	1
GT-20MS-12	WASHER	1	GT-20MS-43	BOLT	8
GT-20MS-13	O-RING	3	GT-20MS-44	BASE COVER	1
GT-20MS-14	PUMP CYLINDER	1	GT-20MS-45	NUT	1
GT-20MS-15	NYLON GASKET	2	GT-20MS-46	SHUTTLE VALVE SEAL	1
GT-20MS-16	COPPER WASHER	4	GT-20MS-47	COVER	1
GT-20MS-17	VALVE ASSY.	2	GT-20MS-48	O-RING	1
GT-20MS-18	SPRING	2	GT-20MS-49	AIR SHUTTLE VALVE	1
GT-20MS-19	RELEASE VALVE ASSY	1	GT-20MS-50	O-RING	2
GT-20MS-20	STEEL BALL	1	GT-20MS-51	PISTON	1
GT-20MS-21	OIL TANK ASSY	1	GT-20MS-52	O-RING	2
GT-20MS-22	OIL FILLER PLUG	1	GT-20MS-53	AIR PUMP PLUNGER	1
GT-20MS-23	STEEL BALL	1	GT-20MS-54	WASHER	1
GT-20MS-24	PISTON RING	1	GT-20MS-55	SPRING	1
GT-20MS-25	PISTON RING	1	GT-20MS-56	STEEL BALL	4
GT-20MS-26	WASHER	1	GT-20MS-57	AIR PUMP HOUSING	1
GT-20MS-27	RAM ASSY.	1	GT-20MS-58	PLUG	2
GT-20MS-28	SPRING LID	1	GT-20MS-59	O-RING	1
GT-20MS-29	SNAP RING	1	GT-20MS-60	TOP COVER	1
GT-20MS-30	WASHER	2	GT-20MS-61	AIR HOSE ASSEMBLY	1
GT-20MS-31	PISTON RING	1			

ART NR	DESCRIPTION	QTY
GMSY-01	Y ADAPTOR	1
GMSR-01	ROUND ADAPTOR	1
GT-20MSY-3	HEX SOCKET HEAD CAP SCREWS	2
GT-20MSY-4	ROUND NUTS	1
GT-20MSY-5	O-RING 1.5 MM	1
GMS-05	ADAPTOR HOLDER	1
GT-20MS-AM	AIR MOTOR	1
GT-20MS-AMRK	AIR MOTOR REPAIR KIT	1
GT-20MS-PURK	POWER UNIT REPAIR KIT	1



# GAITHER NOTES



A series of horizontal dotted lines spanning the width of the page, intended for handwritten notes.

# ABOUT US

Gaither Tool Company, Inc. founded in 1988, is an international organization committed to serving the tire and trucking industry. It invents and manufactures convenient tools and systems needed to service and maintain tires and wheel assemblies.

Gaither Tool Company, Inc. continually invests in research and development to bring to its customers the most effective tools in the business. It strives to improve efficiency and reduce costs for customers all over the world working in truck maintenance shops as well as on-the-road tire service providers. Bandag, Euromaster/Michelin, Bridgestone's First Stop, The United States Armed Forces... just to name a few.

Gaither supplies products to customers in over 100 countries, selling through exclusive and nonexclusive distributors. Gaither Tool Company, Inc. is headquartered in Jacksonville, Illinois, U.S.A. In 1997 it opened a branch office located in Roosendaal, Holland to better serve the European market. In 1999 that office was incorporated in Holland and Gaither Europe BV was started. Gaither's manufacturing plant and warehousing for International distribution is located in Taichung, Taiwan.

With a strategically placed location in both The United States and The Netherlands, we are able to serve the global industry



## CONTACT US

[gaithertool.com](http://gaithertool.com)

## GAITHER TOOL COMPANY, INC

2255 West Morton Ave.  
Jacksonville, Illinois 62650 USA

t 217.245.0545 | 800.452.5010  
f 217.245.0940  
e [sales@gaithertool.com](mailto:sales@gaithertool.com)

## GAITHER EUROPE BV THE NETHERLANDS

Rechtzaad 6  
4703 RC Roosendaal (Holland)

t +31 (0) 165 554475  
f +31 (0) 165 391819  
e [evd@gaithereurope.com](mailto:evd@gaithereurope.com)



## CHANGING THE WAY THE WORLD SERVICES YOUR TIRES