

OWNER'S MANUAL

CONTENTS:

Page	1	Specifications
	2	Warning Information
	3	Setup Instructions, Operating Instructions
	4	Preventative Maintenance , Inspection, Proper Storage, Troubleshooting, and Owner/User Responsibility
	5	Hydraulic Jack Maintenance Guide and Regular Maintenance
	6	Warranty Information
	7	Exploded View Drawing and Replacement Parts



SPECIFICATIONS	
Capacity	2 Ton
Low Height	2.75"
High Height	24"
Overall Length	32.5"
Overall Width	14.5"
Handle Length	45.25"
Net Weight	97 lbs.
Saddle Diameter	4"

WARNING INFORMATION



This is the safety alert symbol. It is used to alert you to potential personal injury hazards. Obey all safety messages that follow this symbol to avoid possible injury or death.

⚠️ WARNING

WARNING: Indicates a hazardous situation which, if not avoided, could result in death or serious injury.



IMPORTANT: READ THESE INSTRUCTIONS BEFORE OPERATING

BEFORE USING THIS DEVICE, READ THIS MANUAL COMPLETELY AND THOROUGHLY, UNDERSTAND ITS OPERATING PROCEDURES, SAFETY WARNINGS AND MAINTENANCE REQUIREMENTS.

It is the responsibility of the owner to make sure all personnel read this manual prior to using the device. It is also the responsibility of the device owner to keep this manual intact and in a convenient location for all to see and read. If the manual or product labels are lost or not legible, contact Myers Tire Supply for replacements. If the operator is not fluent in English, the product and safety instructions shall be read to and discussed with the operator in the operator's native language by the purchaser/owner or his designee, making sure that the operator comprehends its contents.





THE NATURE OF HAZARDOUS SITUATIONS


⚠️ WARNING

The use of portable automotive lifting devices is subject to certain hazards that cannot be prevented by mechanical means, but only by the exercise of intelligence, care, and common sense. It is therefore essential to have owners and personnel involved in the use and operation of the equipment who are careful, competent, trained, and qualified in the safe operation of the equipment and its proper use. Examples of hazards are dropping, tipping or slipping of loads caused primarily by improperly securing loads, overloading, off-centered loads, use on other than hard level surfaces, and using equipment for a purpose for which it was not designed.

METHODS TO AVOID HAZARDOUS SITUATIONS

⚠️ WARNING

-  Read, study, understand and follow all instructions before operating this device.
-  Inspect the jack before each use. Do not use jack if damaged, altered, modified, in poor condition, leaking hydraulic fluid, or unstable due to loose or missing components. Make corrections before using.
- Lift only on areas of the vehicle as specified by the vehicle manufacturer.
-  Wear eye protection that meets ANSI Z87.1 and OSHA standards (users and bystanders).
- Do not use jack beyond its rated capacity. Do not shock load.
-  **This is a lifting device only. Immediately after lifting, support the vehicle with jack stands capable of sustaining the load before working on the vehicle.**
- Use only on a hard level surface free from obstructions so the jack is free to reposition itself during lifting and lowering operations.
- Center load on saddle. Be sure setup is stable before working on vehicle.
- Do not move or dolly the vehicle while on the jack.
- Do not use any materials that may serve as risers, spacers or extenders between the stock lifting saddle and the load.
- Do not use any adapters that replace the stock lifting saddle unless approved or supplied by the jack manufacturer.
- Do not use (or modify) this product for any other purpose than that for which it was designed without consulting the manufacturer's authorized representative.
- Always lower the jack slowly and carefully.
- Failure to heed these warnings may result in serious or fatal personal injury and/or property damage.

 **WARNING:** This product can expose you to chemicals including nickel which is known to the State of California to cause cancer and birth defects or other reproductive harm. For more information go to www.P65Warnings.ca.gov.

CONSEQUENCES OF NOT AVOIDING HAZARDOUS SITUATIONS

⚠️ WARNING

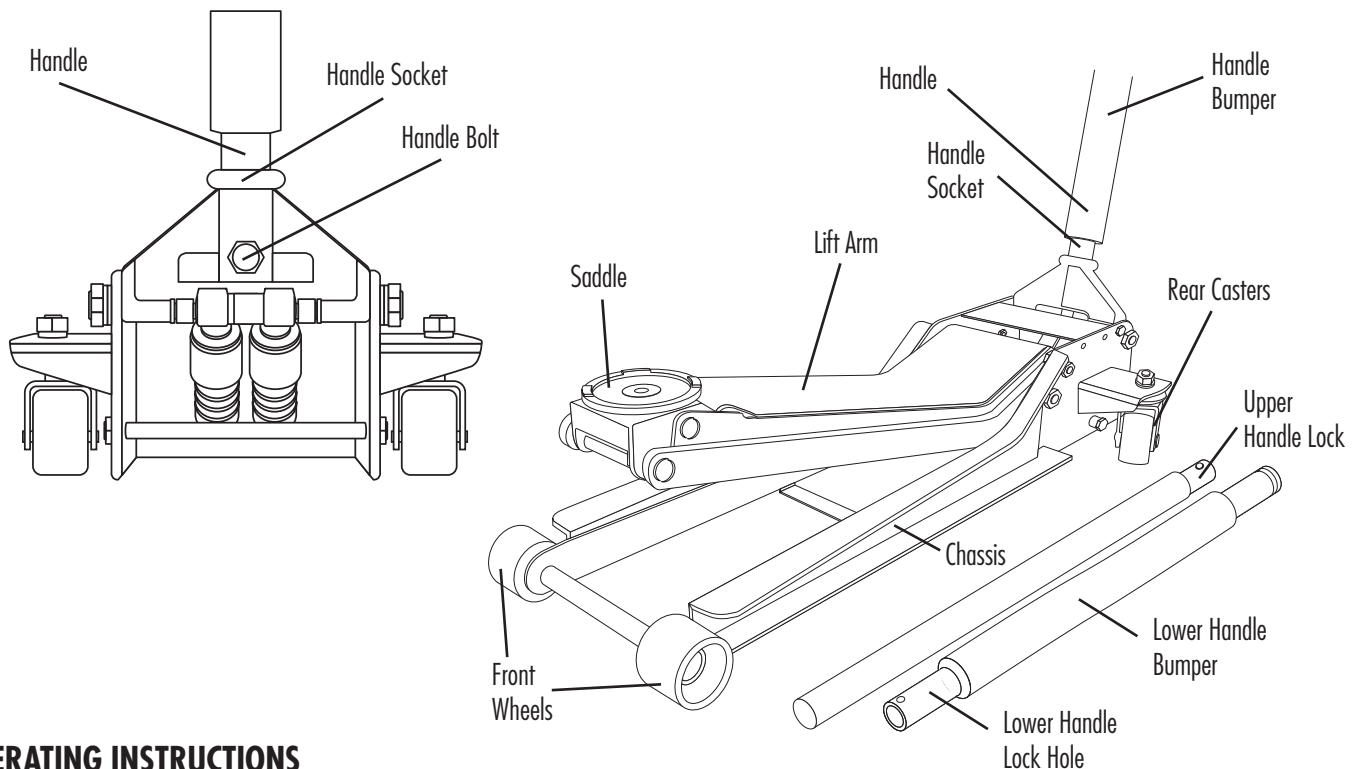
Failure to read this manual completely and thoroughly, failure to understand its OPERATING INSTRUCTIONS, SAFETY WARNINGS, MAINTENANCE INSTRUCTIONS and comply with them, and failure to comply with the METHODS TO AVOID HAZARDOUS SITUATIONS could cause accidents resulting in serious or fatal personal injury and/or property damage.

OWNER'S MANUAL

SETUP INSTRUCTIONS

PLEASE REFER TO THE EXPLODED VIEW DRAWING IN THIS MANUAL IN ORDER TO IDENTIFY PARTS.

1. Depress the upper handle lock in the upper handle while simultaneously inserting the end of the upper handle in the lower handle. Rotate the upper handle back and forth until the handle lock seats in the hole in the lower handle.
2. Unscrew the handle bolt so that it will not interfere with the insertion of the handle in the handle socket. Insert the handle in the handle socket and rotate the handle assembly back and forth until the release valve fits in the receiver in the bottom of the handle. Secure the handle in the handle socket by tightening the handle bolt.
3. Sometimes air gets trapped in the hydraulic system during shipping and handling. If the pump feels spongy, or there is not a full incremental pump stroke, or the jack will not raise to maximum height, follow these instructions in order to purge air from the system:
 - a) With the lift arm in its completely retracted position and the pump handle rotated all the way in a clockwise direction until it stops, rotate the pump handle in a counterclockwise direction two full revolutions.
 - b) Proceed to pump the jack 15 full incremental pump strokes.
 - c) Rotate the pump handle clockwise until it stops and proceed to pump the handle until the lift arm reaches maximum height.
 - d) Repeat steps "A" through "C" until all air is purged from the system.



OPERATING INSTRUCTIONS



This is the safety alert symbol used for the OPERATING INSTRUCTIONS section of this manual to alert you to potential personal injury hazards. Obey all instructions to avoid possible injury or death. **IMPORTANT:** Before attempting to raise any vehicle, check vehicle service manual for recommended lifting surfaces.

OPERATION:

1. **To raise load:** Turn the handle in a clockwise direction until tight. Position the jack under the load. Proceed to pump the handle in order to raise the lift arm to the load. As the saddle at the end of the lift arm gets closer to the load, reposition the jack so the saddle will contact the load firmly and the load is centered on the saddle. Make sure the saddle is correctly positioned. Raise the load to the desired work height. Place jack stands of appropriate capacity at the vehicle manufacturers' recommended support areas that provide stable support for the raised vehicle. **DO NOT CRAWL UNDER VEHICLE WHILE LIFTING VEHICLE OR PLACING OR REMOVING THE JACK STANDS!** Once jack stands are positioned, turn the handle **VERY SLOWLY**. Lower the load to rest on the jack stands. Inspect the relationship between the jack stands and load to make sure the setup is stable and safe. If the setup is not stable or safe, follow the preceding steps until corrected.
2. **To lower load:** Follow the procedures mentioned in "To raise load" section of the OPERATING INSTRUCTIONS in order to raise the load off the jack stands. Once the load has cleared the jack stands, remove the stands from under the load and away from the work area. Turn handle very slowly in a counterclockwise direction until the load is completely lowered to the ground. Once the jack's lifting saddle has cleared the load, remove the jack from under the load. **CAUTION:** Keep hands and feet away from the hinge mechanism of the jack. **DO NOT CRAWL UNDER VEHICLE WHILE LIFTING VEHICLE OR PLACING OR REMOVING THE JACK STANDS!**

OWNER'S MANUAL

PREVENTATIVE MAINTENANCE



This is the safety alert symbol used for the PREVENTATIVE MAINTENANCE section of this manual to alert you to potential personal injury hazards. Obey all instructions to avoid possible injury or death.

1. Always store the jack in a well protected area where it will not be exposed to inclement weather, corrosive vapors, abrasive dust, or any other harmful elements. The jack must be cleaned of water, snow, sand, grit, oil, grease or other foreign matter before using.
2. The jack must be lubricated periodically in order to prevent premature wearing of parts. A general purpose grease must be applied to all zerk grease fittings, caster wheels, front axle, elevator arm, handle base pivot bolts, release mechanism and all other bearing surfaces. Worn parts resulting from inadequate or no lubrication are not eligible for warranty consideration. See page 5 for lubrication instructions.
3. It should not be necessary to refill or top off the reservoir with hydraulic fluid unless there is an external leak. An external leak requires immediate repair which must be performed in a dirt-free environment by an authorized service center.

IMPORTANT: In order to prevent seal damage and jack failure, never use alcohol, hydraulic brake fluid or transmission oil in the jack. Use Chevron Hydraulic Oil AW ISO 32 or its equivalent Unocal Unax AW 150.

4. Every jack owner is responsible for keeping the jack labels clean and readable. Use a mild soap solution to wash external surfaces of the jack but not any moving hydraulic components. Contact Myers for replacement labels if not readable.
5. Inspect the jack before each use. Do not use the jack if any component is cracked, broken, bent, shows sign of damage or leaks hydraulic fluid. Do not use the jack if it has loose or missing hardware or components, or is modified in any way. Take corrective action before using the jack again.
6. Any hydraulic repairs within the warranty period must be performed by an authorized service center.

INSPECTION

Visual inspection should be made before each use of the jack, checking for leaking hydraulic fluid and damaged, loose or missing parts. Each jack must be inspected by a manufacturer's repair facility immediately if subjected to an abnormal load or shock. Any jack which appears to be damaged in any way, is found to be badly worn, or operates abnormally **MUST BE REMOVED FROM SERVICE** until necessary repairs are made by a manufacturer's authorized repair facility. It is recommended that an annual inspection of the jack be made by a manufacturer's authorized repair facility and that any defective parts, decals or warning labels be replaced with manufacturer's specified parts. A list of authorized repair facilities is available from the manufacturer.

PROPER STORAGE

It is recommended that the jack be stored in a dry location with all wheels touching the ground on a relatively level surface.

TROUBLESHOOTING

Important: Service jacks are self-contained devices used for lifting, but not sustaining, a partial vehicular load. In accordance with ASME PASE-2019 Load Sustaining Test: "A load not less than the rated capacity... shall not lower more than 1/8" (3.18mm) in the first minute, nor a total of .1875" (4.76mm) in 10 minutes." Lowering within this range is considered normal operation and is NOT a warrantable defect.

Problem	Action
1. Unit will not lift rated load.	Purge air from hydraulic system by following procedure under SETUP.
2. Unit will not sustain rated load or feels "spongy" under rated load.	Purge air from hydraulic system as above.
3. Unit will not lift to full height.	Purge air from hydraulic system as above.
4. Handle tends to raise up while the unit is under rated load.	Pump the handle rapidly several times to push oil past ball valves in power unit.
5. Unit still does not operate.	Contact Myers Tire Supply Customer Service.

OWNER/USER RESPONSIBILITY

The owner and/or user must have an understanding of the manufacturer's operating instructions and warnings before using this jack. Personnel involved in the use and operation of equipment shall be careful, competent, trained, and qualified in the safe operation of the equipment and its proper use when servicing motor vehicles and their components. Warning information should be emphasized and understood. If the operator is not fluent in English, the manufacturer's instructions and warning shall be read to and discussed with the operator in the operator's native language by the purchaser/owner, making sure that the operator comprehends its contents. Owner and/or user must study and maintain for future reference the manufacturers' instructions. Owner and/or user is responsible for keeping all warning labels and instruction manuals legible and intact. Replacement labels and literature are available from the manufacturer.

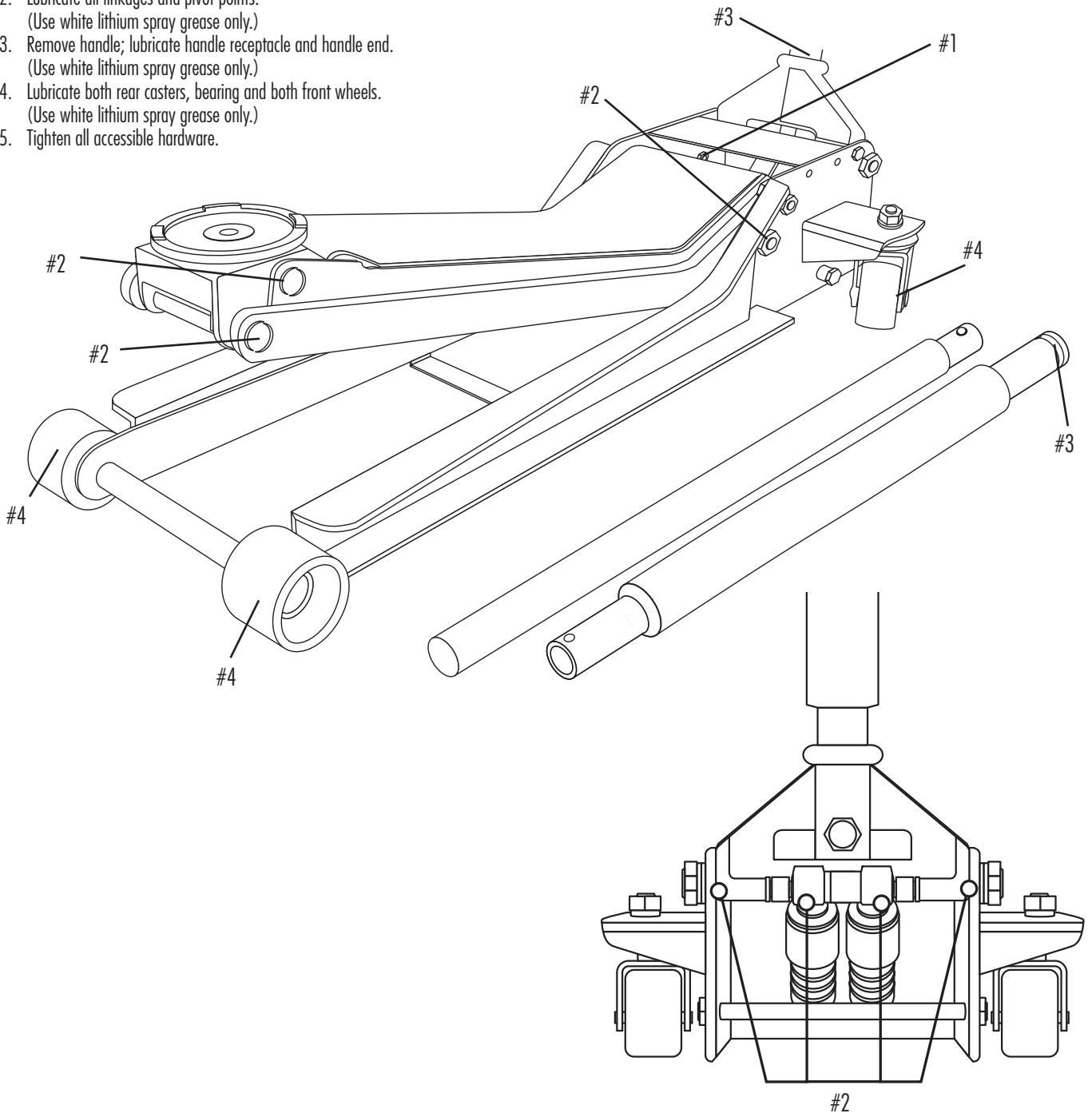
OWNER'S MANUAL

HYDRAULIC JACK MAINTENANCE GUIDE

IMPORTANT: Service jacks are designed for lifting purposes only; always support raised load with jack stands.

REGULAR MAINTENANCE

- MONTHLY or as necessary (depending on usage)
 1. Using a grease gun, add grease to grease fitting in the lift arm pivot shaft.
(Use a multi-purpose NLGI type grease only.)
 2. Lubricate all linkages and pivot points.
(Use white lithium spray grease only.)
 3. Remove handle; lubricate handle receptacle and handle end.
(Use white lithium spray grease only.)
 4. Lubricate both rear casters, bearing and both front wheels.
(Use white lithium spray grease only.)
 5. Tighten all accessible hardware.



LIMITED WARRANTY

MYERS TIRE SUPPLY WARRANTS TO ITS CUSTOMERS THAT THE COMPANY'S MYERS TIRE SUPPLY[®] BRANDED PRODUCTS ARE FREE FROM DEFECTS IN WORKMANSHIP AND MATERIALS.

Myers Tire Supply will repair or replace its Myers Tire Supply[®] branded products which fail to give satisfactory service due to defective workmanship or materials, based upon the terms and conditions of the following described warranty plans attributed to that specific product. This product carries a ONE-YEAR warranty. During this warranty period, Myers Tire Supply will repair or replace at our option any part or unit which proves to be defective in material or workmanship.

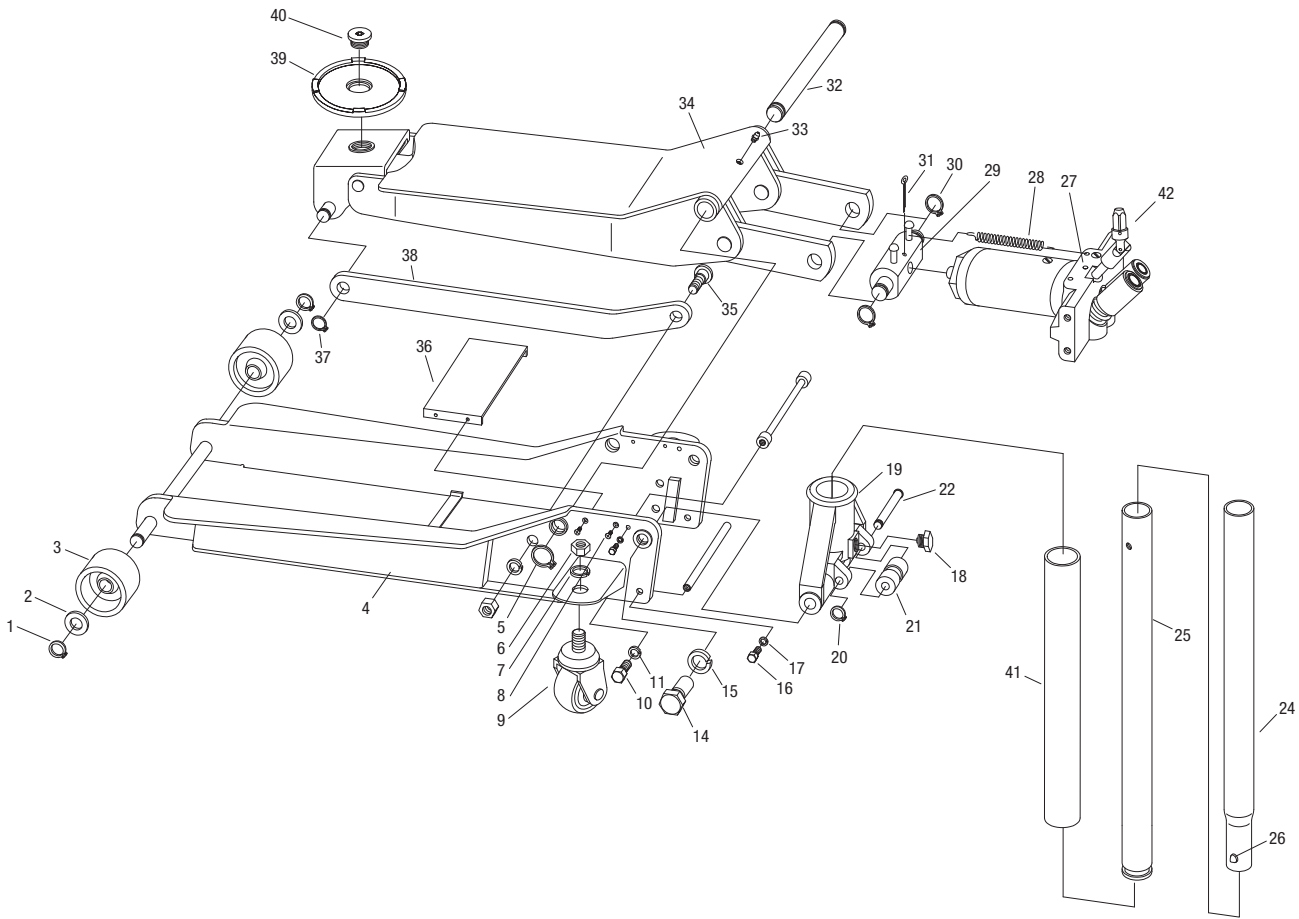
Other important warranty information

This warranty does not cover damage to equipment or tools arising from alteration, abuse, misuse, damage and does not cover any repairs or replacement made by anyone other than Myers Tire Supply[®] or its authorized warranty service centers. The foregoing obligation is Myers Tire Supply's sole liability under this or any implied warranty and under no circumstances shall we be liable for any incidental or consequential damages.

NOTE: Some states do not allow the exclusion or limitation of incidental or consequential damages, so the above limitation or exclusion may not apply to you. Return equipment or parts to an authorized service center, transportation prepaid. Be certain to include your name and address, evidence of the purchase date, and description of the suspected defect. If you have any questions about warranty service, please write to Myers Tire Supply[®]. This warranty gives you specific legal rights and you may also have other rights which vary from state to state.

Repair kits and replacement parts are available for many of Myers Tire Supply products regardless of whether or not the product is still covered by a warranty plan.

PARTS LIST AND DRAWING



REF #	PART#	DESCRIPTION	QTY
1	RS35T01	Star Clip (20)	2
2	RS35T02	Washer (M20)	2
3	RS6602LP03	Front Wheel	2
4		Frame	1
5		Retaining Ring (25)	2
6	RS6602LP06	Nut (M16)	4
7		Washer (16) (incl. with #9)	4
8		Screw (M5x12) (incl. with #9)	4
9	RS6602LP09	Rear Caster Assembly (incl. #7, 8)	2
10		Screw (M10x25)	4
11		Washer (10)	4
12		Retaining Ring (15) (incl. with #14)	2
13		Nut (incl. with #14)	2
14	RS6602LP14	Shaft Assembly (incl. #12, 13, 15)	2
15		Washer (20) (incl. with #14)	2
16		Nut (M8x20)	4
17		Washer (8)	5
18	RS35T13	Handle Set Screw	1
19	RS6602LP19	Handle Socket	1
20		Retaining Ring (12)	1
21		Roller	1
22		Roller Shaft	1

REF #	PART#	DESCRIPTION	QTY
23	RS6602LP23	Spring and Button	1
24	RS6602LP24	Handle Lever "A"	1
25	RS35T20NL	Handle Bumper	1
26	RS6602LP26	Handle Lever "B"	1
27	RS6602LP27	Complete Hydraulic Unit	1
28	RS6602LP28	Spring	2
29	RS6602LP29	Hydraulic Unit Adapter (incl. #30)	1
30		Retaining Ring (22) (incl. with #29)	2
31		Pin (A4x55)	1
32		Lift Arm Shaft	1
33	RS6602LP33	Zerk	1
34		Lift Arm	1
35		Bolt	2
36		Cover Plate	1
37	RS6602LP37	Retaining Ring (14)	2
38		Radius Linkage	2
39	RS6602LP39	Saddle	1
40	RS6602LP40	Saddle Screw	1
41	RS6602LP41	Universal Rotating Device	1
	RS99081PLK	Product Label Kit (not shown)	1

Only items identified by part number are available for purchase.

MANUAL DEL PROPIETARIO

CONTENIDO:

Página 8 Especificaciones
 9 Información de advertencia
 10 Instrucciones de ensamble y uso
 11 Mantenimiento preventivo, inspección, almacenamiento adecuado, diagnóstico de averías y responsabilidad del propietario/usuario
 12 Guía de mantenimiento del gato hidráulico y mantenimiento regular
 13 Información de garantía
 7 Dibujo de vista ampliada y partes de repuesto



ESPECIFICACIONES	
Capacidad.....	2 Tonelada
Altura mínima.....	2.75"
Altura máxima.....	24"
Longitud global.....	32.5"
Anchura global.....	14.5"
Longitud del mango.....	45.25"
Peso.neto.....	97 libras
Diámetro del asiento.....	4"

INFORMACIÓN DE ADVERTENCIA



Este símbolo indica una alerta de seguridad y se usa para advertir sobre peligro de accidentes personales. Observe toda la información de seguridad que sigue a este símbolo para evitar la posibilidad de que ocurran lesiones o muerte.

⚠ ADVERTENCIA

ADVERTENCIA: Indica una situación peligrosa que si no se evita, puede provocar la muerte o lesiones graves.



IMPORTANTE: LEA ESTAS INSTRUCCIONES ANTES DE USAR EL DISPOSITIVO

ANTES DE USAR ESTE DISPOSITIVO, LEA ESTE MANUAL DETENIDAMENTE. PROCURE ENTENDER SUS PROCEDIMIENTOS OPERATIVOS, ADVERTENCIAS DE SEGURIDAD Y REQUERIMIENTOS DE MANTENIMIENTO.

El propietario es responsable de asegurarse de que todo el personal lea este manual antes de usar el dispositivo. Asimismo, es responsabilidad del propietario mantener este manual en buenas condiciones en una ubicación conveniente para su consulta. Si las etiquetas del manual o producto están extraviadas o son ilegibles, comuníquese con Myers Tire Supply por sus repuestos. El comprador/propietario o una persona designada deberá leer y comentar el producto y las advertencias de seguridad en la lengua materna del operario, si es que no domine el inglés, a fin de asegurarse de que comprende el contenido.

NATURALEZA DE LAS SITUACIONES DE RIESGO

⚠ ADVERTENCIA

El uso de dispositivos de elevación portátiles se halla sujeto a ciertos riesgos que no se pueden prever por medios mecánicos, sino por la inteligencia, el cuidado y el sentido común. Por lo tanto, es esencial que el uso del dispositivo quede en manos de los propietarios y de personal que sea cuidadoso, competente, capacitado y habilitado para realizar un uso adecuado y operación segura del equipo. Algunos ejemplos de peligros son dejar caer, inclinar o resbalar las cargas, principalmente como consecuencia de un sujeción de carga incorrecta, sobrecarga, posición no centrada, uso en superficies no niveladas o firmes, así como usar el dispositivo con un fin para el que no está diseñado.

FORMAS DE EVITAR LAS SITUACIONES DE RIESGO

⚠ ADVERTENCIA

- Lea, estudie, comprenda y observe todas las instrucciones antes de operar este dispositivo.
- Verifique el gato antes de usarlo. No lo use si tiene roturas, alteraciones, o está en malas condiciones, como tampoco si presenta inestabilidad debido a piezas metálicas o partes desajustadas o faltantes. Tome las medidas de corrección apropiadas antes de usarlo.
- Utilice el dispositivo de elevación únicamente en las áreas del vehículo especificadas por su fabricante.
- Use protección para los ojos que cumpla con las normas ANSI Z87.1 y OSHA (usuarios y espectadores).
- No use el gato para elevar pesos superiores a su capacidad. No ocasione ninguna descarga a la carga.
- **Este dispositivo se debe utilizar únicamente para levantar cargas. No bien haya elevado la carga, sujete el vehículo con torres que tengan la capacidad para sostenerlo antes de comenzar a trabajar.**
- Use el gato únicamente en superficies niveladas firmes en las que no haya obstáculos, de modo que el dispositivo pueda posicionarse durante las operaciones de elevación y descenso.
- Centre la carga en el asiento. Asegúrese de que el armado del dispositivo sea estable antes de comenzar a trabajar.
- No mueva ni empuje el vehículo sobre el gato.
- No use ningún material que pueda fungir como plataforma, espaciador o expansor entre la silla de elevación estándar y la carga.
- No use ningún adaptador el que reponga la silla de elevación estándar al menos que sea aprobado o provisto por el fabricante del gato.
- No use (ni altere) este producto para ningún propósito excepto el para el cual fue destinado, sin primero consultar al representante autorizado del fabricante.
- Baje el gato siempre despacio y con cuidado.
- No cumplir con estas indicaciones puede provocar lesiones graves o peligro de muerte, así como daños materiales.

⚠ **ADVERTENCIA:** Este producto le podrá exponer a ciertos químicos, para incluir el níquel, conocidos en el Estado de California por ocasionar cáncer y defectos congénitos u otros daños a la reproducción. Para mayores informes, visite: www.P65Warnings.ca.gov.

LAS CONSECUENCIAS DE NO EVITAR SITUACIONES DE RIESGO

⚠ ADVERTENCIA

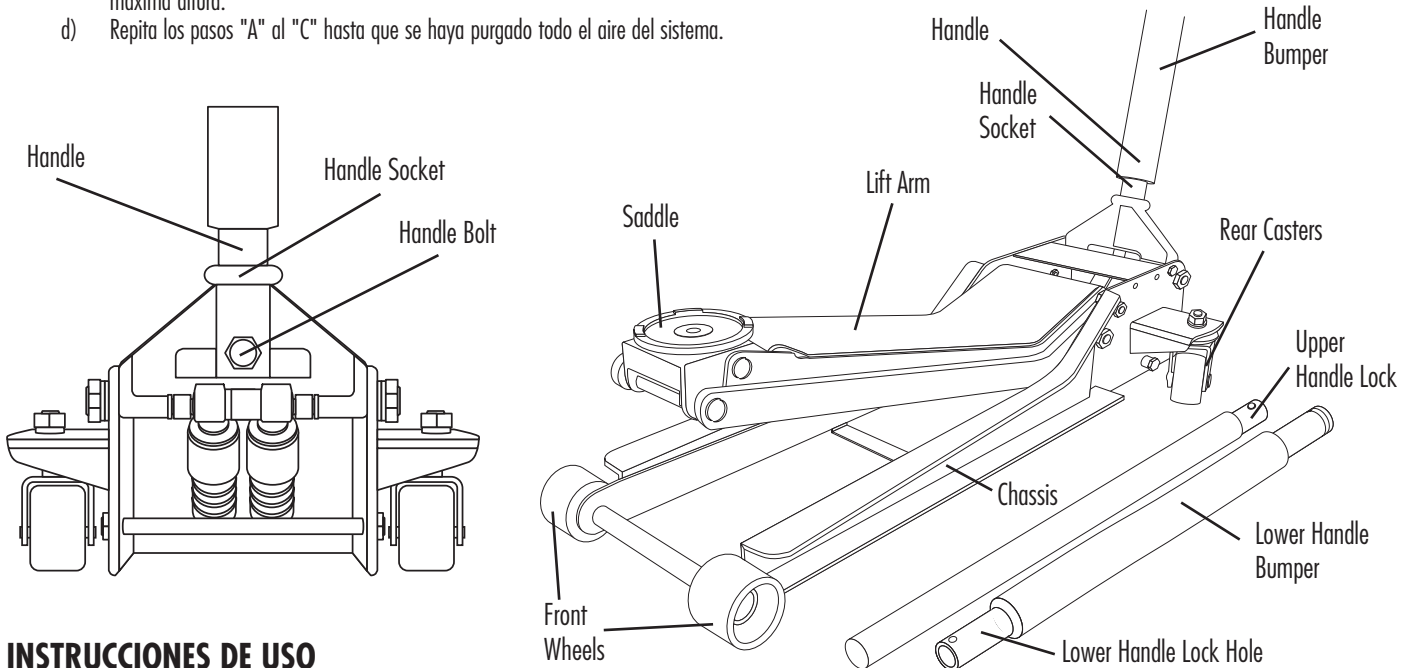
No leer, comprender u observar todo el contenido de este manual en relación con sus INSTRUCCIONES DE USO, ADVERTENCIAS DE SEGURIDAD y FORMA DE MANTENIMIENTO, así como desatender las FORMAS DE EVITAR LAS SITUACIONES DE RIESGO, puede provocar accidentes que tengan como consecuencia lesiones graves, peligro de muerte o daños materiales.

MANUAL DEL PROPIETARIO

INSTRUCCIONES DE ENSAMBLE

CONSULTE POR FAVOR EL DUBUJO DE VISTA AMPLIADA EN ESTE MANUAL CON EL FIN DE IDENTIFICAR LAS PARTES.

1. Presione el seguro de la manivela superior en la manivela superior al mismo tiempo que se inserte simultáneamente el extremo de la manivela superior en la manivela inferior. Gire la manivela superior de un lado para otro una y otra vez hasta que el seguro de la manivela se asiente en el agujero del seguro de la manivela inferior.
2. Desatornille el perno del mango con el fin de que no interfiera con la inserción de la manivela en el casquillo de la manivela. Inserte la manivela en el casquillo de la manivela y gire el conjunto de la manivela de un lado para otro una y otra vez hasta que la válvula de liberación quepa en el receptor en el fondo de la manivela.
3. A veces se atrapa aire en el sistema hidráulico durante el transporte y maniobra. Si la bomba se siente esponjada, o si no haya un recorrido incremental completo de la bomba, o si el gato no se elevará hasta su máxima altura, siga estas instrucciones con el fin de purgar el aire del sistema:
 - a) Con el brazo de levantamiento en su posición de retracción completa y la manivela de la bomba girado completamente en el sentido de las agujas del reloj hasta que se pare, gire la manivela de la bomba en el contrasentido de las agujas del reloj dos revoluciones completas.
 - b) Proceda a bombear el gato 15 recorridos de bomba incrementales completos.
 - c) Gire la manivela de la bomba en el sentido de las agujas del reloj hasta que se pare y proceda a bombear la manivela hasta que el brazo de levantamiento logre su máxima altura.
 - d) Repita los pasos "A" al "C" hasta que se haya purgado todo el aire del sistema.



INSTRUCCIONES DE USO



Este símbolo indica una alerta de seguridad y se utiliza en la parte de este manual que versa sobre las INSTRUCCIONES DE USO, con el fin de advertir sobre los peligros de accidentes personales. Observe todas las instrucciones para evitar lesiones o peligros de muerte. **IMPORTANTE:** antes de comenzar a elevar un vehículo, consulte su manual de servicio para conocer las superficies de elevación recomendadas.

OPERACIÓN:

1. **Para levantar la carga:** Gire el mango en el sentido de las agujas del reloj hasta que esté apretado. Coloque el gato debajo de la carga. Proceda a bombear el mango para levantar el brazo de levantamiento hasta el nivel de la carga. En la medida que la silla en el extremo del brazo de levantamiento se acerque a la carga, posicione el gato de nuevo, con el fin de que la silla tenga contacto firme con la carga y la carga esté centrada sobre la silla. Asegúrese que la silla esté posicionada correctamente. Levante la carga hasta la altura de trabajo deseada. Coloque los soportes del gato de la capacidad adecuada en los puntos de soporte recomendados por el fabricante, los que brindan un soporte estable para el vehículo levantado. **¡NO SE ARRASTRE DEBAJO DEL VEHÍCULO MIENTRAS QUE SE ESTÉ LEVANTANDO EL VEHÍCULO O AL MOMENTO DE QUITAR LOS SOPORTES DEL GATO!** Una vez que los soportes del gato estén posicionados, gire el mango **MUY LENTAMENTE**. Baje la carga hasta que se recargue sobre los soportes del gato. Inspeccione la relación entre los soportes de gato y la carga para asegurar que el montaje esté estable y seguro. Si el montaje no está seguro ni estable, siga los pasos anteriores hasta que esté corregido.
2. **Para bajar la carga:** Siga los procedimientos mencionados en la sección de "para levantar la carga" de las INSTRUCCIONES DE OPERACIÓN para levantar la carga fuera de los soportes del gato. Una vez que la carga sea liberada de los soportes del gato, quite los soportes de debajo de la carga y colóquelos lejos del área de trabajo. Gire el mango muy lentamente en el contrasentido de las agujas del reloj hasta que la carga esté completamente bajada al piso. Una vez que la silla de levantamiento del gato se haya despejado de la carga, quite el gato de debajo de la carga. **PRECAUCIÓN:** Mantenga las manos y los pies lejos del eje de articulación del gato. **¡NO SE ARRASTRE DEBAJO DEL VEHÍCULO MIENTRAS QUE SE ESTÉ LEVANTANDO EL VEHÍCULO O AL MOMENTO DE QUITAR LOS SOPORTES DEL GATO!**

MANUAL DEL PROPIETARIO

MANTENIMIENTO PREVENTIVO



Este es el símbolo de alerta de seguridad usado para la sección de **MANTENIMIENTO PREVENTIVO** de este manual para alertarle a usted de los peligros de lesión personal potenciales. Obedezca todas las instrucciones con el fin de evitar lesiones potenciales o aún la muerte.

1. Siempre guarde el gato en un área protegida, en donde no quede expuesto a las condiciones climáticas, gases corrosivos, sustancias abrasivas u otros materiales perjudiciales. Previo al uso, este gato deberá estar limpio de agua, nieve, arena, gravilla, aceite, grasa o cualquier otro material ajeno.
2. El gato se debe lubricar en forma periódica a fin de prevenir el desgaste prematuro de sus partes. Se debe aplicar grasa de uso general en todas las articulaciones, las ruedas pivotantes y del eje delantero, el brazo elevador, los pernos pivotantes de la base de la palanca, el sistema de seguridad y las demás superficies de apoyo. Las partes desgastadas resultando de la lubricación inadecuada o faltante no serán elegibles para consideraciones de garantía. Ver la página 12 por las instrucciones de lubricación.
3. No debería ser necesario recargar ni llenar el receptáculo del líquido hidráulico, salvo si existen fugas. En caso de fugas, un técnico calificado en reparación de sistemas hidráulicos que conozca el funcionamiento de este dispositivo deberá realizar su reparación inmediata en un lugar libre de suciedad.

IMPORTANTE: A fin de prevenir daños en las juntas herméticas y fallas en el dispositivo, no use alcohol, líquido de frenos hidráulicos ni aceite de transmisión en el gato. Use aceite hidráulico AW ISO 32 de Chevron o su equivalente Unocal Unax AW 150.

4. El propietario del gato es responsable de mantener sus etiquetas en buen estado de conservación. Use una solución jabonosa suave para lavar el exterior del gato, sin aplicarla a ninguna de las partes del sistema hidráulico. Comuníquese con Myers por unas etiquetas de repuesto si éstas no son legibles.
5. Verifique el gato antes de usarlo. No use el gato si alguna de sus partes está quebrada, rota, torcida o dañada, ni cuando el sistema hidráulico tenga fugas. No use el gato si presenta alteraciones o es inestable debido a piezas metálicas o partes desajustadas o faltantes. Tome las medidas de corrección apropiadas antes de usar el gato otra vez.
6. No repare el sistema hidráulico a menos que sea un técnico calificado que conozca el funcionamiento de este dispositivo.

INSPECCION

Se debe realizar una inspección visual previo cada uso del gato, revisando por fugas en el líquido hidráulico y por partes dañadas, flojas o faltantes. Cada gato debe ser inspeccionado inmediatamente por parte de un centro de reparación del fabricante, si éste está sujeto a un choque o a una carga anormal. Cualquier gato que aparenta ser dañado de cualquier forma, que se encuentre ser desgastado o que opera de forma anormal, **DEBE DEJARSE DE USAR** hasta que se realicen las reparaciones necesarias por parte de un centro de reparación autorizado del fabricante. Se recomienda que se haga una inspección anual del gato por parte de un centro de reparación autorizado del fabricante y que cualquier parte, calcomanía o etiqueta de advertencia defectuosa sea reemplazada con partes especificadas del fabricante.

Una lista de los centros de reparación autorizados está disponible con el fabricante.

ALMACENAMIENTO ADECUADO

Se recomienda que el gato sea almacenado en un lugar seco y que todas las ruedas toquen el piso sobre una superficie relativamente plana.

DIAGNÓSTICO DE AVERÍAS

Importante: Los gatos de servicio son dispositivos autónomos usados para el levantamiento, pero no para el sostenimiento, de una carga vehicular parcial. De acuerdo con la norma de ASME PASE-2019, de la prueba de sostenimiento de carga: "Una carga no menos que la capacidad nominal . . . no deberá más de 1/8" (3.18mm) en el primer minuto, ni un total de .1875" (4.76mm) en 10 minutos." Bajar dentro de este rango se considera como una operación normal y NO es un defecto garantizable.

Problema	Acción
1. El equipo no levantará la carga nominal.	Expulsa el aire del sistema hidráulico al seguir el procedimiento bajo INSTRUCCIONES DE ENSAMBLE.
2. El equipo no sostendrá la carga o se siente "esponjoso" bajo una carga clasificada.	Expulsa el aire del sistema hidráulico como indicado anteriormente, esponjoso bajo la carga.
3. El equipo no levantará la carga hasta la altura normal.	Expulsa el aire del sistema hidráulico como indicado anteriormente.
4. El mango tiende a elevarse mientras que el equipo esté debajo de la carga nominal.	Sube y baja el mango rápidamente varias veces para empujar sostiene una carga el aceite más allá de las válvulas de cojinete en el aparato de capacidad eléctrica.
5. El equipo aún no funciona.	Contactar servicio al cliente de Myers Tire Supply.

RESPONSABILIDAD DEL PROPIETARIO/USUARIO

El propietario y/o usuario debe contar con una comprensión de las instrucciones y advertencias de operación del fabricante antes de usar este gato. El personal involucrado en el uso y operación del equipo debe ser cuidadoso, competente, capacitado o calificado en la operación segura del equipo y su uso adecuado al momento de dar mantenimiento a los vehículos motores y sus componentes. La información de advertencia debe ser enfatizada y comprendida. Si el operador no domina el idioma inglés, las instrucciones y advertencia del fabricante le deben ser leídas y discutidas con el operador en su idioma nativo por parte del comprador/propietario, asegurándose que el operador comprenda su contenido. El propietario y/o usuario debe estudiar y mantener las instrucciones del fabricante para su referencia futura. El propietario y/o usuario será responsable por mantener legibles e intactos las etiquetas de advertencia y los manuales de instrucción. Las etiquetas y literatura de repuesto están disponibles con el fabricante.

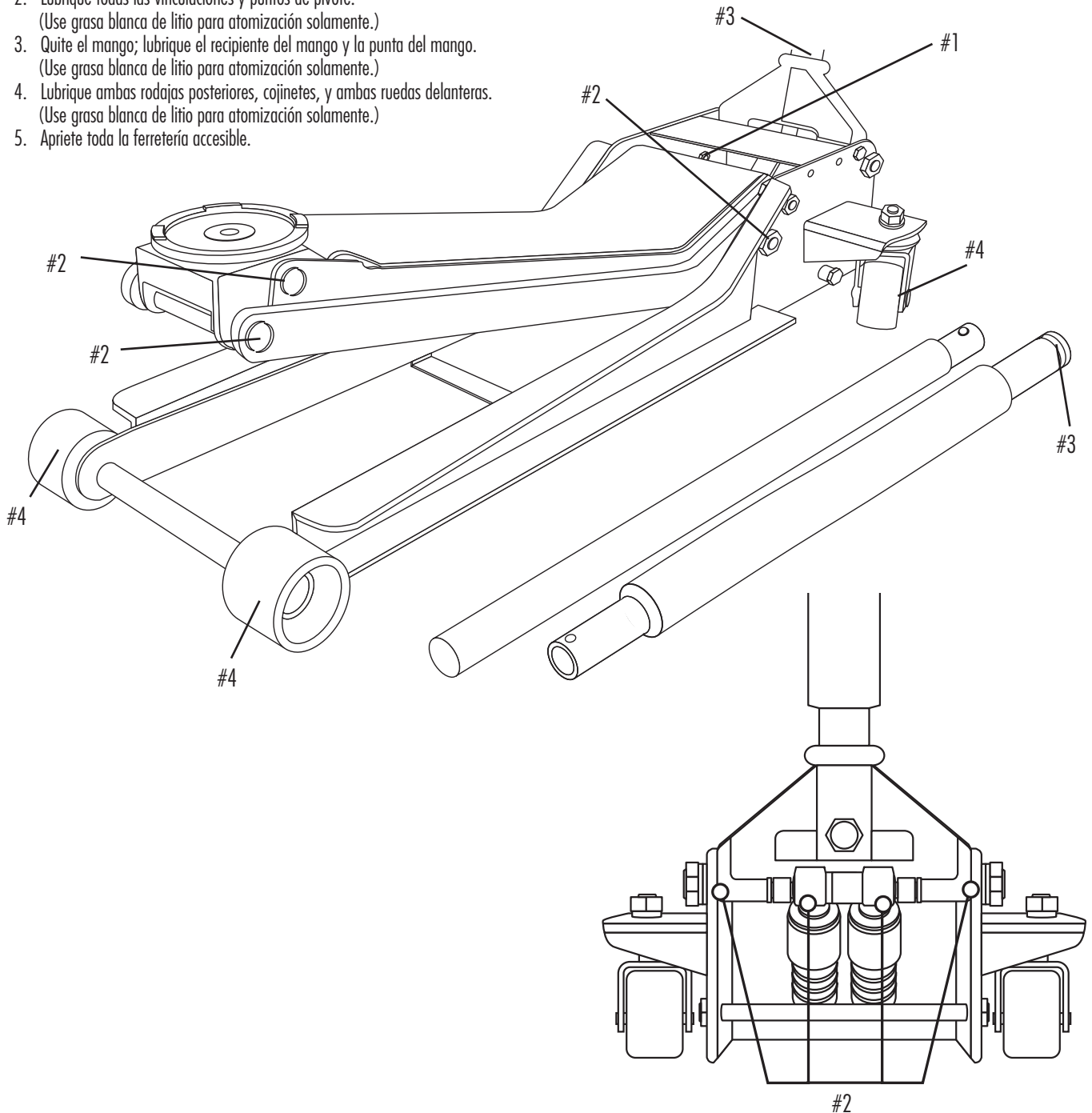
MANUAL DEL PROPIETARIO

GUÍA DE MANTENIMIENTO DEL GATO HIDRÁULICO

IMPORTANTE: Los gatos de servicio están diseñados para propósitos de levantamiento solamente; siempre sostenga la carga elevada con la base de gato.

MANTENIMIENTO REGULAR

- Mensualmente o según sea necesario (dependiendo del uso)
 1. Usando una pistola engrasadora, agrega grasa a la grasera en el eje de pivote del brazo de levantamiento.
(Use una grasa multi-uso tipo NLGI solamente.)
 2. Lubrique todas las vinculaciones y puntos de pivote.
(Use grasa blanca de litio para atomización solamente.)
 3. Quite el mango; lubrique el recipiente del mango y la punta del mango.
(Use grasa blanca de litio para atomización solamente.)
 4. Lubrique ambas rodajas posteriores, cojinetes, y ambas ruedas delanteras.
(Use grasa blanca de litio para atomización solamente.)
 5. Apriete toda la ferretería accesible.



GARANTÍA LIMITADA

MYERS TIRE SUPPLY LE GARANTIZA A SUS CLIENTES QUE LAS HERRAMIENTAS Y PRODUCTOS CON LA MARCA DE LA EMPRESA MYERS TIRE SUPPLY NO CONTIENEN DEFECTOS EN SU MANO DE OBRA NI MATERIAS PRIMAS.

Myers Tire Supply reparará o sustituirá sus productos con la marca Myers Tire Supply[®] que reflejen fallas en el funcionamiento satisfactorio debido a que la mano de obra o las materias primas estén defectuosas, tomando como base las cláusulas y condiciones de los planes de garantía descritos a continuación y asignados a ese producto específico. Este producto tiene una garantía de UN AÑO. Durante este periodo de garantía, Myers Tire Supply reparará o repondrá, a nuestra opción, cualquier parte o unidad la cual demuestra ser defectuosa en cuanto a material o mano de obra.

Otra importante información de la garantía

Esta garantía no cubre daños a equipo o herramientas debido a modificaciones, abuso, mal uso o daños y no cubre ninguna reparación o sustitución hecha por ninguna persona que no sea Myers Tire Supply[®] o alguno de sus centros de servicio de garantía autorizados. La obligación antes mencionada queda bajo la responsabilidad exclusiva de Myers Tire Supply[®] según se menciona o de cualquier garantía implícita y bajo ninguna circunstancia quedará bajo su responsabilidad cualquier garantía implícita ya bajo ninguna circunstancia quedará bajo su responsabilidad cualquier daño incidental o consecuencial.

NOTA: Algunos estados no permiten la exclusión ni limitación de daños. Devuelva el equipo o partes a un centro de servicio autorizado, con el flete prepagado. Asegúrese de incluir su nombre y dirección, comprobación de la fecha de compra, y la descripción del defecto sospechado. Si usted tiene alguna pregunta acerca del servicio de garantía, escriba por favor a Myers Tire Supply[®]. Esta garantía le brinda derechos legales específicos y usted puede contar con derechos adicionales los cuales varían de estado a estado. Están disponibles equipos de reparación y partes de sustitución para muchos de los productos de Myers Tire Supply Tools, independientemente del hecho de que el producto aún esté cubierto o no por un plan de garantía.

MANUEL DU PROPRIÉTAIRE

CONTENU:

Page	14	Spécifications
	15	Information d'avertissement
	16	Installation, mode d'emploi et entretien préventif
	17	Vérification, entreposage adéquat, dépannage et responsabilité du propriétaire/utilisateur
	18	Guide d'entretien de cric hydraulique et entretien régulier
	19	Information de garantie
	7	Dessin de vue éclatée et pièces de rechange



SPÉCIFICATIONS	
Capacité.....	2 Tonne
Hauteur minimum.....	2,75 po
Hauteur maximum.....	24 po
Longueur totale.....	32,5 po
Largeur totale.....	14,5 po
Longueur de la poignée.....	45,25 po
Poids net.....	97 livres
Diamètre de la selle.....	4 po

INFORMATION D'AVERTISSEMENT



Ce symbole indique un danger potentiel. Il est utilisé pour avertir l'utilisateur des risques potentiels de blessures corporelles. Prière de respecter toutes les consignes de sécurité qui suivent ce symbole afin d'éviter les blessures ou la mort potentielles.

⚠ AVERTISSEMENT

AVERTISSEMENT : Ce symbole indique une situation dangereuse qui pourrait causer la mort ou des blessures graves si elle n'est pas évitée.



IMPORTANT : LIRE CES CONSIGNES AVANT L'UTILISATION

PRIÈRE DE LIRE CES CONSIGNES ATTENTIVEMENT ET DE S'ASSURER DE BIEN COMPRENDRE LES PROCÉDURES D'UTILISATION, LES AVERTISSEMENTS DE SÉCURITÉ ET LES BESOINS EN MATIÈRE D'ENTRETIEN DE L'OUTIL AVANT DE L'UTILISER.

Le propriétaire doit s'assurer que tous les employés lisent ce manuel avant d'utiliser l'outil. Le propriétaire de l'outil doit aussi maintenir ce manuel en bon état et le ranger dans un endroit facilement accessible à tous ceux qui doivent le lire. Si le manuel ou les étiquettes de l'outil sont perdus ou illisibles, communiquer avec Myers Tire Supply pour obtenir un remplacement. Si l'utilisateur ne parle pas couramment le français, les consignes de sécurité et le mode d'emploi de l'outil devront lui être lues à haute voix et être discutées avec l'utilisateur, dans sa langue maternelle, par le propriétaire/acheteur ou une personne désignée, afin d'assurer que l'utilisateur en comprenne bien le contenu.







LE TYPE DE SITUATIONS DANGEREUSES

⚠ AVERTISSEMENT

L'utilisation de dispositifs de levage portatifs pour automobiles expose l'utilisateur à certains dangers qui ne peuvent pas être évités par des moyens mécaniques, mais seulement en faisant preuve d'intelligence, d'attention et de bon sens. Il est donc essentiel que les propriétaires et les employés qui utiliseront ce dispositif soient prudents, compétents, qualifiés et formés à l'utilisation sécuritaire de l'équipement. Des exemples de dangers comprennent le renversement, le glissement ou la chute soudaine de la charge. Ces dangers sont principalement imputables à une charge mal répartie, une utilisation sur une surface meuble ou inclinée, ou une utilisation à des fins autres que celles pour lesquelles le dispositif a été conçu.

MÉTHODES POUR ÉVITER LES SITUATIONS DANGEREUSES

⚠ AVERTISSEMENT

-  Lire, étudier, s'assurer de bien comprendre et de suivre les directives avant d'utiliser ce dispositif.
-  Inspecter le cric avant chaque utilisation. Ne pas utiliser le cric s'il est endommagé, modifié, en mauvais état, instable en raison de pièces ou de quincaillerie manquantes ou lâches ou s'il y a fuite de fluide hydraulique. Effectuer les réparations ou les réglages nécessaires avant l'utilisation.
-  Placer le cric uniquement aux points spécifiés par le constructeur du véhicule.
-  Portez une protection oculaire qui répond aux normes ANSI Z87.1 et de l'OSHA (utilisateur et personnes à proximité).
-  Ne pas dépasser la capacité nominale du cric. Éviter un effet de choc sur la charge.
-  **Ce dispositif sert uniquement au levage. Immédiatement après avoir levé le véhicule, placer les chandelles appropriées avant de travailler sur le véhicule.**
- Utiliser le cric seulement sur une surface de niveau et solide. Celle-ci doit être exempte d'obstructions afin que le cric puisse se repositionner durant le levage et la descente.
- Centrer la charge sur la selle. S'assurer de la stabilité de l'installation avant de travailler sur le véhicule.
- Ne pas déplacer le véhicule lorsqu'il est supporté par le cric.
- Ne pas utiliser de matériaux qui pourraient servir d'élevateurs, espaceurs ou extendeurs entre la charge et la selle de levage.
- Ne pas utiliser d'adaptateurs en remplacement de la selle de levage sinon ceux fournis par le fabricant du cric ou ayant reçu son approbation.
- Ne pas utiliser (ou modifier) ce produit pour un usage autre que celui pour lequel il a été conçu sans consulter le représentant autorisé du manufacturier.
- Toujours abaisser le cric lentement et prudemment.
- L'inobservance de ces méthodes peut causer des dommages matériels, des blessures corporelles graves ou mortelles, ou les deux.



MISE EN GARDE: Ce produit peut vous exposer à des produits chimiques y compris le nickel, reconnu par l'État de la Californie comme causant le cancer et des anomalies congénitales ou d'autres effets nuisibles sur la reproduction. Pour de plus amples informations, aller à www.P65Warnings.ca.gov.

CONSÉQUENCES EN CAS DE SITUATIONS DANGEREUSES

⚠ AVERTISSEMENT

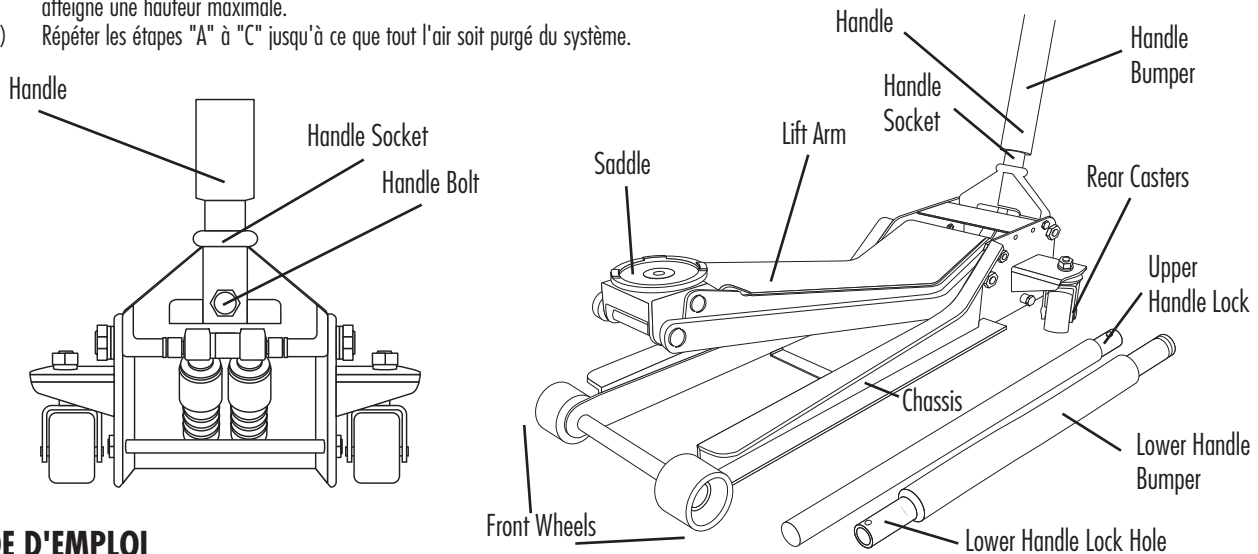
L'inobservance des CONSIGNES D'UTILISATION, des MISES EN GARDE, des CONSIGNES D'ENTRETIEN ainsi que des MÉTHODES POUR ÉVITER LES SITUATIONS DANGEREUSES peut causer des accidents ayant pour conséquences des dommages matériels ou des blessures corporelles graves ou mortelles.

MANUEL DU PROPRIÉTAIRE

INSTRUCTIONS D'INSTALLATION

POUR IDENTIFIER LES PIÈCES, VEUILLEZ VOUS RÉFÉRER À L'ILLUSTRATION EN VUE ÉCLATÉE DANS CE MANUEL.

1. Appuyer sur le dispositif de verrouillage de poignée supérieur dans la poignée supérieure tout en insérant l'extrémité de la poignée supérieure dans la poignée inférieure. Pivoter la poignée supérieure d'un mouvement va-et-vient jusqu'à ce que le dispositif de verrouillage de poignée soit inséré dans le trou de verrouillage dans la poignée inférieure.
2. Dévisser le verrou de poignée de manière qu'il n'interfère pas avec l'insertion de la poignée dans le raccord de poignée. Insérer la poignée dans le raccord de poignée et pivoter l'ensemble de poignée d'un mouvement va-et-vient jusqu'à ce que la soupape de desserrage se loge dans le receveur au fond de la poignée. Fixer la poignée dans le raccord de poignée en serrant le verrou de poignée.
3. Parfois, de l'air se loge dans le système hydraulique au cours du processus de port et manutention. Si la pompe semble spongieuse ou il n'y a pas de mouvement de pompage incrémental complet, ou le cric le lève pas à une hauteur maximale, suivre les instructions suivantes afin de purger l'air du système :
 - a) Avec le bras de relevage dans sa position complètement rétractée et le levier tourné dans le sens des aiguilles d'une montre jusqu'à ce qu'il arrête, tourner le levier dans le sens inverse des aiguilles d'une montre deux tours complets.
 - b) Pomper le cric en 15 mouvements de pompage incrémentaux complets.
 - c) Tourner la poignée de pompage dans le sens des aiguilles d'une montre jusqu'à ce qu'elle arrête et ensuite pomper la poignée jusqu'à ce que le bras de relevage atteigne une hauteur maximale.
 - d) Répéter les étapes "A" à "C" jusqu'à ce que tout l'air soit purgé du système.



MODE D'EMPLOI



Ce symbole sert à identifier les risques de blessures dans la rubrique MODE D'EMPLOI. Suivre les consignes afin d'éviter les risques de blessure ou de mort.

IMPORTANT: Avant d'effectuer une tentative de levage d'un véhicule quelconque, consulter le manuel du propriétaire du véhicule pour en connaître les points d'appuis recommandés par le constructeur.

OPÉRATION :

1. **Pour soulever la charge :** Tournez la poignée dans le sens des aiguilles d'une montre jusqu'à ce qu'elle soit bien serrée. Placez le cric sous la charge. Commencez à pomper la poignée afin de soulever le bras de levage jusqu'à la charge. Alors que la selle à l'extrémité du bras de levage s'approche de la charge, replacez le cric afin que la selle entre fermement en contact avec la charge et afin que la charge soit centrée sur la selle. Assurez-vous que la selle est correctement positionnée. Soulevez la charge à la hauteur de travail désirée. Placez les chandelles de la capacité appropriée aux emplacements de soutien recommandés par le fabricant du véhicule afin de fournir un soutien stable pour le véhicule soulevé. **NE RAMPEZ PAS SOUS LE VÉHICULE LORS DU SOULÈVEMENT DE CELUI-CI OU NE RETIREZ PAS LES CHANDELLES!** Une fois que les chandelles sont placées de manière appropriée, tournez la poignée TRÈS LENTEMENT. Abaissez la charge afin qu'ils reposent sur les chandelles. Inspectez le rapport entre les chandelles et la charge afin de vous assurer que l'installation est stable et sécuritaire. Si l'installation n'est pas stable ou sécuritaire, suivez les étapes précédentes jusqu'à ce que la situation soit corrigée.
2. **Pour abaisser la charge :** Suivez les procédures mentionnées dans la section « Pour soulever la charge » des INSTRUCTIONS D'UTILISATION afin de soulever la charge hors des chandelles. Une fois que la charge a libéré les chandelles, retirez les chandelles de dessous la charge et loin de la zone de manœuvre. Tournez la poignée très lentement dans le sens contraire des aiguilles d'une montre jusqu'à ce que la charge soit complètement abaissée au sol. Une fois que la selle de levage du cric a libéré la charge, retirez le cric du dessous de la charge. **ATTENTION :** Gardez les mains et les pieds hors de portée du mécanisme de charnière du cric. **NE RAMPEZ PAS SOUS LE VÉHICULE LORS DU SOULÈVEMENT DE CELUI-CI OU NE RETIREZ PAS LES CHANDELLES!**

ENTRETIEN PRÉVENTIF



Ce symbole sert à identifier les risques de blessures dans la rubrique ENTRETIEN PRÉVENTIF. Suivre les consignes afin d'éviter les risques de blessure ou de mort.

MANUEL DU PROPRIÉTAIRE

1. Toujours ranger le cric dans un endroit bien protégé des intempéries, des vapeurs corrosives, de la poussière abrasive ou de tout autre élément dommageable. Assurez-vous de débarrasser le cric de toute trace d'eau, de neige, de sable, de gravillon, d'huile, de graisse ou de tout autre corps étranger avant de l'utiliser.
2. Le cric doit être lubrifié périodiquement afin d'éviter l'usure prématurée des pièces. Une graisse à usage général doit être appliquée sur tous les embouts graisseurs, les roulettes, l'essieu avant, le bras de levage, l'axe d'articulation du support du manche, le mécanisme de dégagement et toutes les surfaces portantes. Les pièces usées résultant d'une lubrification insatisfaisante ou d'aucune lubrification ne sont pas admissibles à la garantie. Pour des instructions de lubrification, consultez la page 18.
3. Il n'est pas nécessaire de remplir ou de rajouter du fluide hydraulique dans le réservoir, sauf si une fuite externe est détectée. En cas de fuite externe alors que le cric est toujours sous garantie, rapporter le cric dans n'importe quel magasin pour une réparation ou un remplacement sous garantie.

IMPORTANT: Afin de ne pas endommager les joints d'étanchéité et entraîner le bris du cric, ne jamais utiliser d'alcool, de liquide pour freins ou d'huile pour transmission dans le cric. Utiliser l'huile de chevron hydraulique AW ISO 32 ou son équivalent Unocal Unax AW 150.

4. Il incombe au propriétaire du cric de garder propres et lisibles les étiquettes du cric. Laver les surfaces externes du cric à l'aide d'un savon doux, tout en évitant les pièces hydrauliques mobiles. Contactez Myers pour obtenir des étiquettes remplaçant celles qui sont illisibles.
5. Une inspection visuelle du cric devrait être effectuée avant chaque utilisation. Ne pas utiliser le cric si des pièces présentent des signes de dommages tels que des fissures, des fuites ou des pièces endommagées, déformées ou manquantes. Ne pas utiliser le cric si des pièces sont manquantes, lâches ou ont été modifiées d'une façon quelconque. Effectuer les correctifs nécessaires avant d'utiliser le cric à nouveau.
6. Toute modification, réparation, ou les deux, effectuée par une personne non autorisée entraînera l'annulation de la garantie.

VÉRIFICATION

Une vérification visuelle devrait être faite avant chaque utilisation du cric utilitaire, pour s'assurer qu'il n'y ait pas de conditions anormales comme des dommages, pièces manquantes ou desserrées. Chaque cric utilitaire doit être vérifié immédiatement, par un employé d'un centre de service du fabricant, si accidentellement le produit a subi une charge excessive ou un choc. Tout cric utilitaire qui paraît endommagé de quelque façon, qui semble trop usé ou qui fonctionne de manière anormale DOIT ÊTRE RETIRÉ DU SERVICE, jusqu'à ce que les réparations nécessaires aient été effectuées à un centre de service reconnu par le fabricant. Il est recommandé qu'une vérification annuelle du cric utilitaire soit effectuée par un employé d'un centre de service reconnu par le fabricant, afin de remplacer toutes pièces défectueuses, autocollants ou étiquettes de mise en garde par des pièces de remplacement spécifiées par le fabricant. Une liste des centres de service reconnus est disponible auprès du fabricant. Une liste des installations de réparation autorisées est disponible auprès du fabricant.

ENTREPOSAGE ADÉQUAT

Il est conseillé d'entreposer le cric dans un endroit sec; toutes les roues doivent être en contact avec le sol sur une surface relativement rigide.

DÉPANNAGE

Important : Les crics de levage sont des mécanismes autonomes qui servent à soulever des charges et non à soutenir une charge partielle de véhicule. Conformément à normes de l'ASME PASE-2109, portant sur le test de soutien d'une charge : « Une charge qui ne dépasse pas la capacité nominale... ne s'abaissera pas de plus 1/8 po (3,18 mm) la première minute, et ne s'abaissera pas de plus de 0,1875 po (4,76) au bout de 10 minutes. » Une fuite en-deçà de cette marge est considérée normale et n'est pas considérée comme un vice de fabrication pouvant se réclamer de la garantie.

Problème	Action
1. L'unité ne lèvera pas la charge nominale.	Purger l'air du système hydraulique en suivant la procédure selon la configuration.
2. L'unité ne soutiendra pas la charge nominale ou semblera « spongieuse » sous la charge nominale.	Purger l'air du système hydraulique comme mentionné ci-dessus.
3. L'unité ne lèvera pas à hauteur complète.	Purger l'air du système hydraulique comme mentionné ci-dessus.
4. La poignée a tendance à se soulever lorsque l'unité est sous la charge nominale.	Pompez la poignée rapidement plusieurs fois de pousser l'huile après des robinets à tournant sphérique dans l'unité de puissance.
5. L'unité ne fonctionne toujours pas.	Contactez le service à la clientèle de Myers Tire Supply.

RESPONSABILITÉ DU PROPRIÉTAIRE/UTILISATEUR

Le propriétaire et/ou utilisateur doit posséder une compréhension des directives de fonctionnement et des mises en garde du fabricant, avant d'utiliser ce cric utilitaire. Le personnel impliqué dans l'utilisation de cette pièce d'équipement doit être prudent, compétent, bien entraîné et qualifié au fonctionnement sécuritaire et à l'utilisation adéquate de l'équipement, au moment de l'entretien des véhicules et de leurs composantes. On devrait insister particulièrement sur la compréhension des renseignements touchant les mises en garde. Si l'utilisateur ne parle pas couramment l'anglais, les directives du fabricant et les mises en garde devraient être lues et discutées par l'acheteur /propriétaire avec l'utilisateur dans sa langue maternelle, pour s'assurer de la bonne compréhension du contenu par l'utilisateur. Le propriétaire et / ou l'utilisateur doit étudier et conserver les directives du fabricant, pour référence éventuelle. Relativement aux étiquettes de mises en garde et aux manuels de directives, le propriétaire et / ou l'utilisateur est responsable de s'assurer qu'ils soient maintenus lisibles et intacts. Les étiquettes de remplacement et la littérature sont disponibles auprès du fabricant.

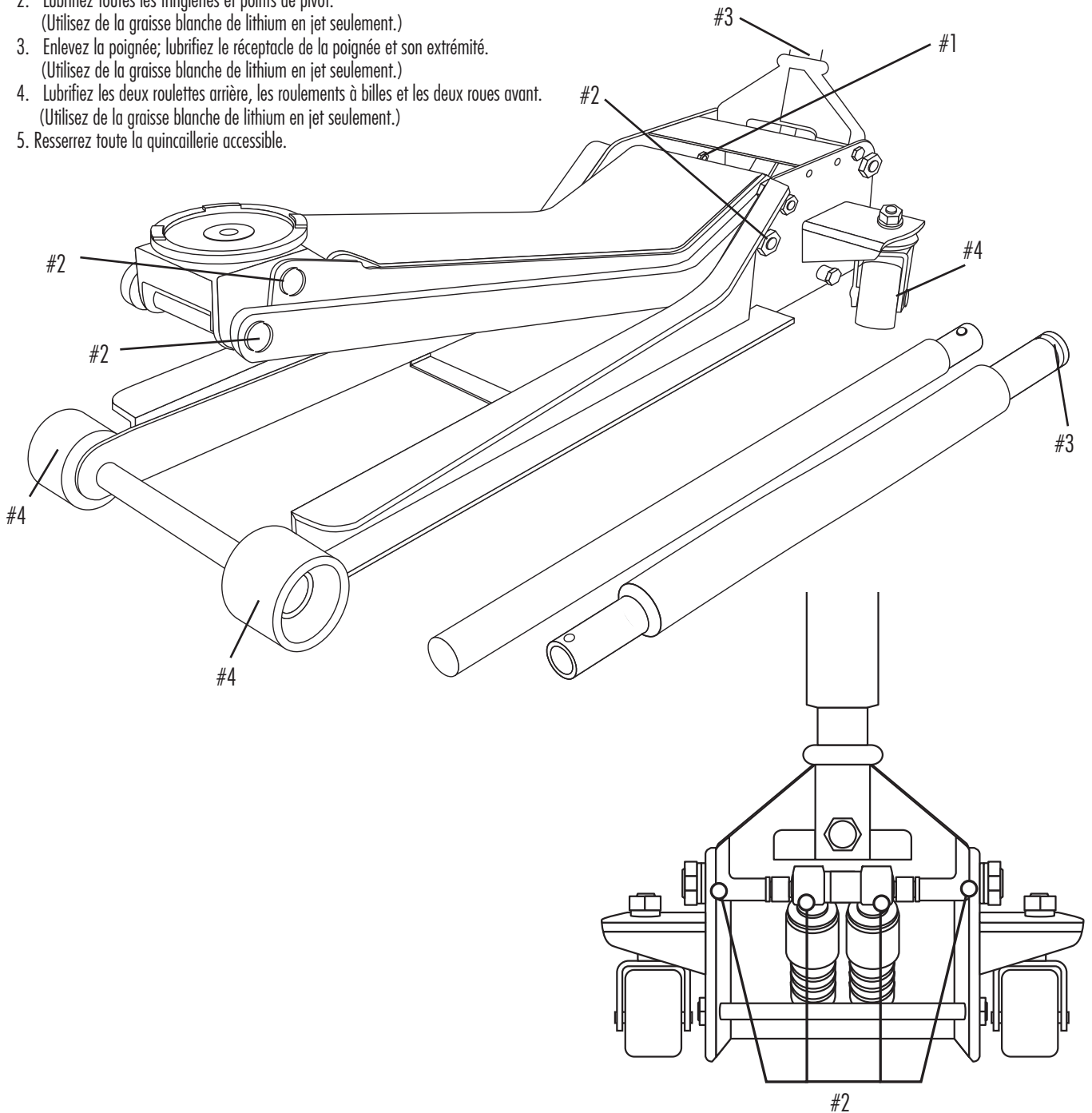
MANUEL DU PROPRIÉTAIRE

GUIDE D'ENTRETIEN DE CRIC HYDRAULIQUE

IMPORTANT : Les crics de service sont conçus pour le levage seulement; toujours soutenir la charge soulevée à l'aide de support de cric.

ENTRETIEN RÉGULIER

- Mensuellement ou selon les besoins (selon l'utilisation)
 1. En utilisant un pistolet graisseur, ajoutez de la graisse par l'embout de graissage de graisse dans l'axe de pivot du bras de levage.
(Utilisez seulement un type de graisse à usage multiple NLGI.)
 2. Lubrifiez toutes les tringleries et points de pivot.
(Utilisez de la graisse blanche de lithium en jet seulement.)
 3. Enlevez la poignée; lubrifiez le réceptacle de la poignée et son extrémité.
(Utilisez de la graisse blanche de lithium en jet seulement.)
 4. Lubrifiez les deux roulettes arrière, les roulements à billes et les deux roues avant.
(Utilisez de la graisse blanche de lithium en jet seulement.)
 5. Resserrez toute la quincaillerie accessible.



GARANTIE LIMITÉE

MYERS TIRE SUPPLY GARANTIT À SES CLIENTS QUE LES OUTILS DE MARQUE MYERS TIRE SUPPLY SONT EXEMPTS DE DÉFAUTS DE MAIN D'ŒUVRE ET DE MATÉRIAU.

Myers Tire Supply réparera ou remplacera ses outils de marque Myers Tire Supply qui ne donnent pas un service satisfaisant à cause d'un défaut de main d'œuvre ou de matériau, selon les termes et conditions décrits ci-dessous dans les plans de garantie correspondant à ce produit spécifique. Ce produit a une garantie de UN AN. Pendant la période de garantie, Myers Tire Supply[®] réparera ou remplacera, à sa seule discrétion, toute pièce ou tout appareil dont il a été déterminé qu'il comporte un défaut de matériau ou de main d'œuvre.

Autres informations importantes sur la garantie

Cette garantie ne couvre pas les dommages à de l'équipement ou à des outils modifiés, sujets à des abus ou à une utilisation incorrecte, ou encore endommagés; elle ne couvre pas les réparations ou le remplacement effectué par quiconque autre que Myers Tire Supply[®] ou ses centres de services de garantie autorisés. L'obligation qui précède constitue la seule responsabilité de Myers Tire Supply[®] en vertu de cette garantie ou de toute garantie implicite; et en aucun cas Myers Tire Supply[®] ne pourra être responsable pour des dommages indirects ou consécutifs.

Remarque : Certaines juridictions ne permettent pas l'exclusion ou la limitation des dommages indirects ou consécutifs; la limitation ou l'exclusion ci-dessus pourrait donc ne pas s'appliquer à votre cas. Retourner l'équipement ou les pièces à Myers Tire Supply[®], ou à un centre de service de garantie autorisé, port prépayé. S'assurer d'inclure votre nom, votre adresse, une preuve de la date d'achat et la description de la défaillance présumée. Veuillez adresser par écrit toutes vos questions sur le service de garantie à Myers Tire Supply[®]. Cette garantie donne à l'acheteur des droits juridiques spécifiques ainsi que certains autres droits qui peuvent varier selon la juridiction. Après échéance de la garantie de remplacement direct d'un an, certaines pièces de service seront disponibles à l'achat par l'entremise des options de services normaux de Myers Tire Supply[®].