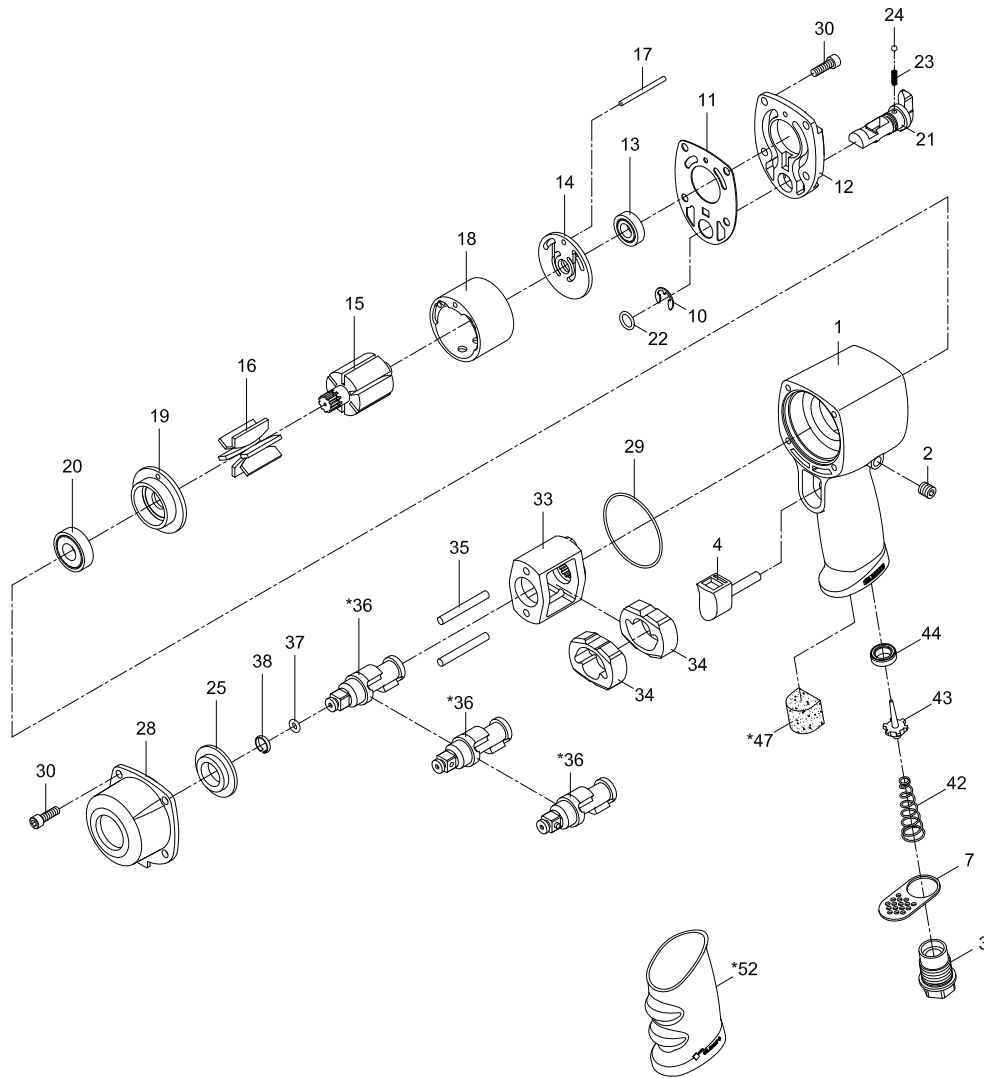


3/8" PROFESSIONAL IMPACT WRENCH



Index No.	Parts No.	Description	Index No.	Parts No.	Description
1	41-400201	Motor Housing	24	40145	Steel Ball
2	40312	Set Screw (M8x8L)	25	41-400225	Anvil Bushing
3	41-400203	Air Inlet	28	41-400128	Hammer Case (1/8")
4	41-400204	Trigger	29	OR05000105	O-Ring
7	41-400207	Exhaust Diffuser	30	40343	Screw (8) (50x1.5)
10	690112	E-Ring (ETW-8)	33	41-401208	Hammer Cage (M5x16L)
11	41-400234	Gasket	34	41-401211	Hammer (2)
12	41-400220	Rear Cover	35	41-401217	Hammer Pin (2)
13	051838	Ball Bearing (6900zz)	36	41-400102-11	Anvil (5.1x42.2)
14	41-400214	Rear End Plate	36	41-400102-12	Anvil (RR-Type 3/8")
15	41-400215	Rotor	36	41-400102-13	Anvil (M-Type 3/8")
16	41-401216	Rotor Blade (6)	37	OR00307108	O-Ring (3.68x1.78)
17	41-400224	Pin (3x40)	38	40103	Retaining Ring
18	41-400218	Cylinder	42	43-403847	Valve Spring
19	41-400219	Front End Plate	43	43-403348	Valve Stem
20	060313	Ball Bearing (6001zz)	44	41-400245	Rubber Spacer
21	41-400221	Reverse Lever	*47	75-725153	Damping Diffuser
22	OR00925178	O-Ring (9.25x1.78)	*52	43-231H52	Rubber Grip
23	41-400223	Spring			

* Optional Parts

****_***

06.07.2014